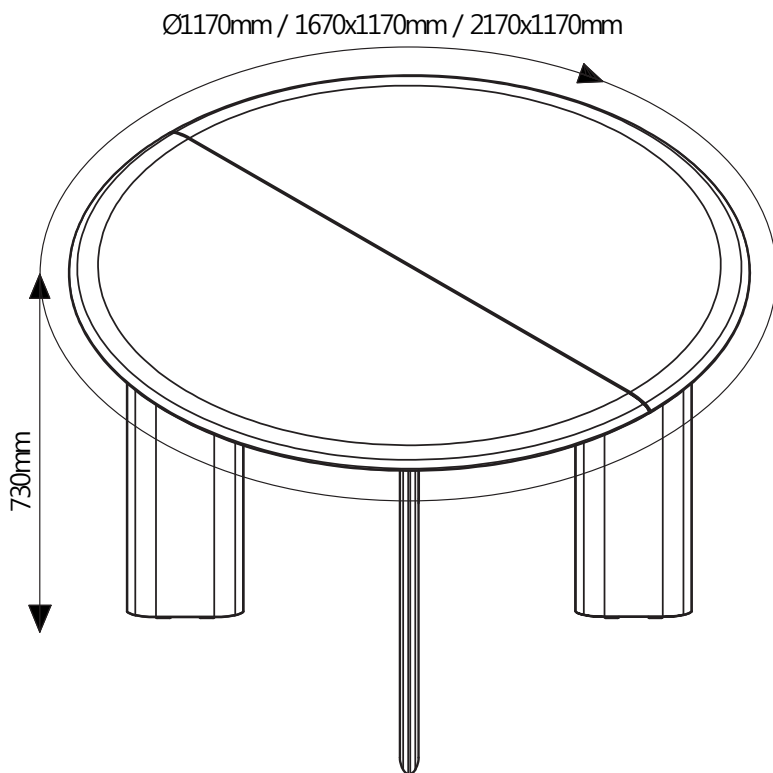

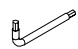


BEVEL TABLE – EXTENDABLE

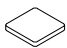
ASSEMBLY MANUAL

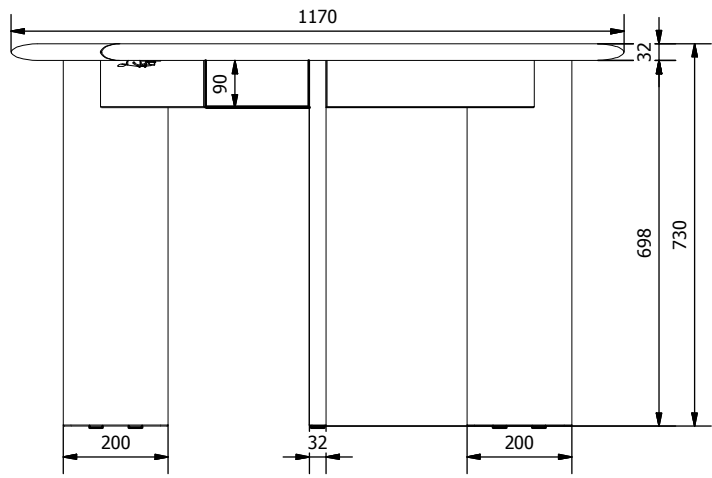


A  M8x50 mm = 8

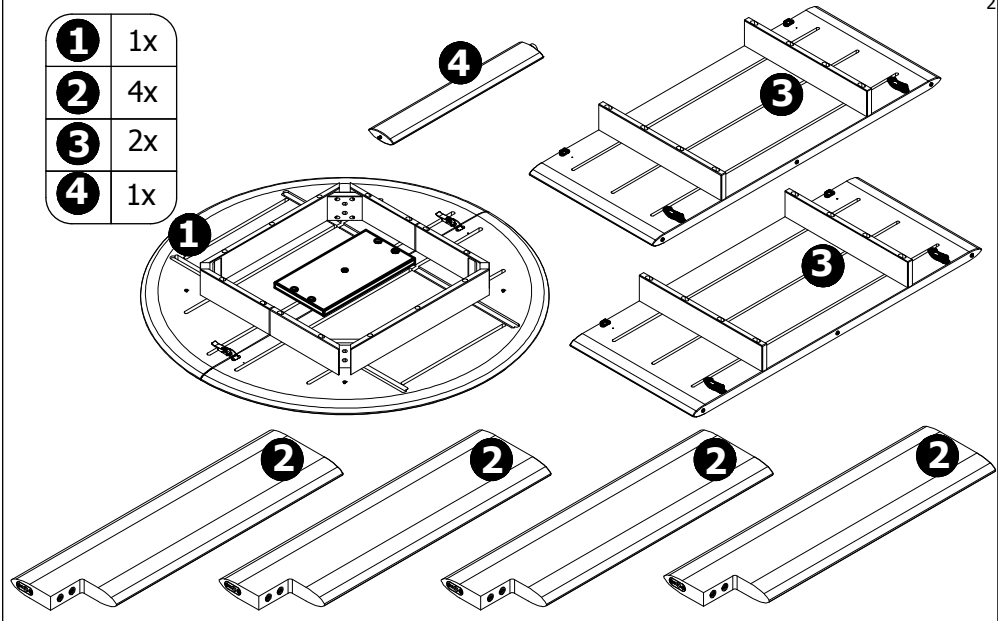
C  = 1

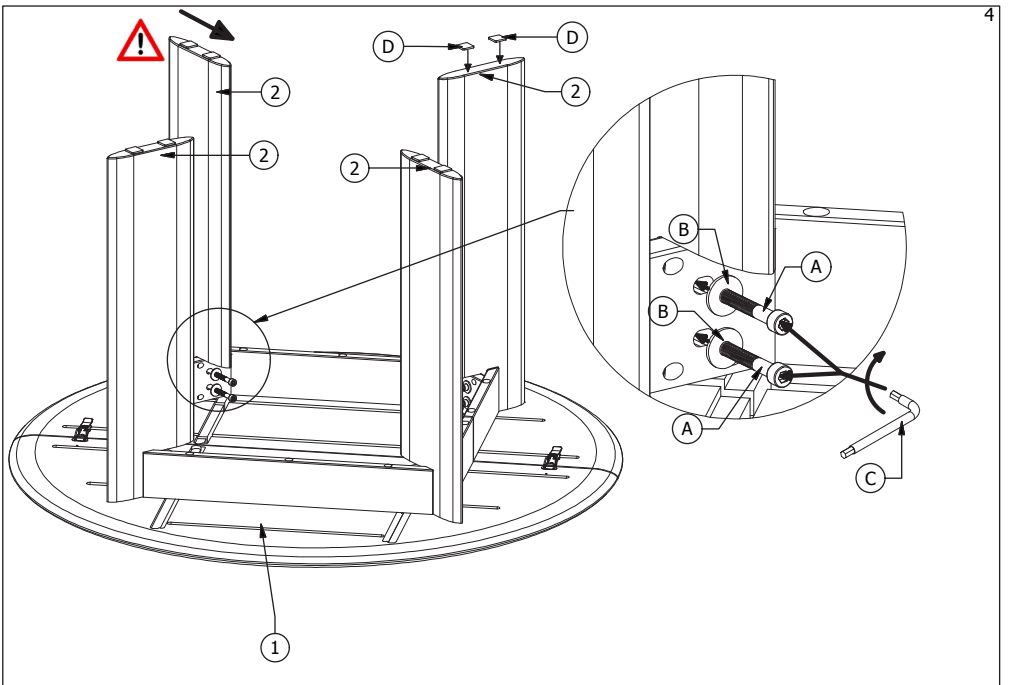
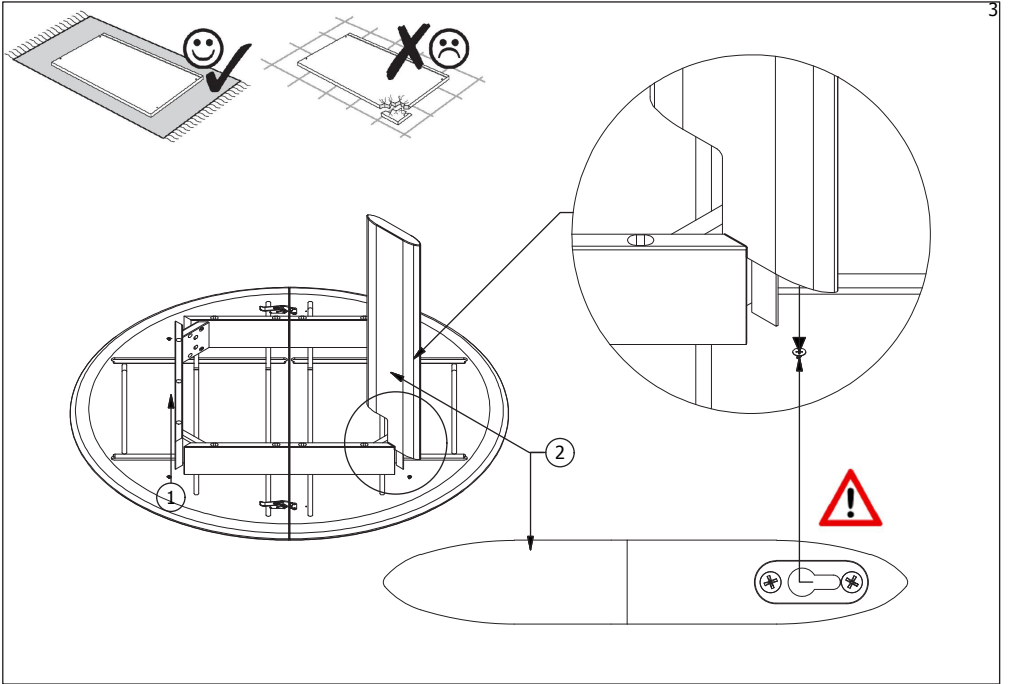
B  M8/24 = 8

D  = 8

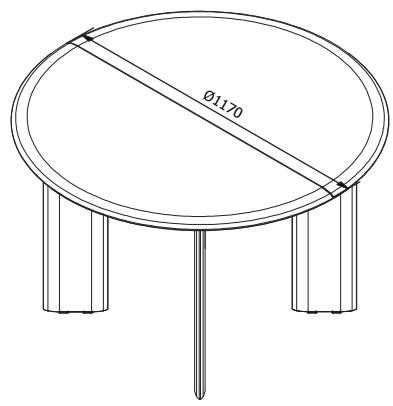


- | | |
|----------|----|
| 1 | 1x |
| 2 | 4x |
| 3 | 2x |
| 4 | 1x |

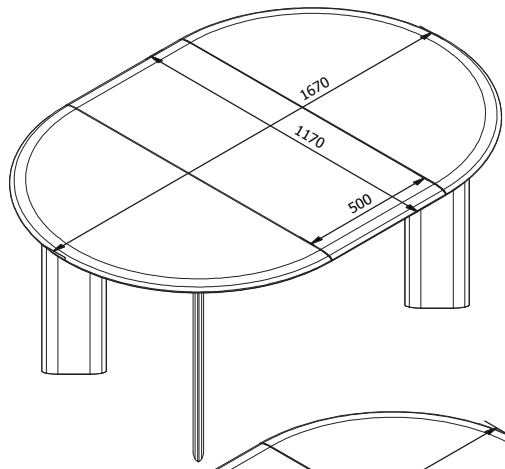




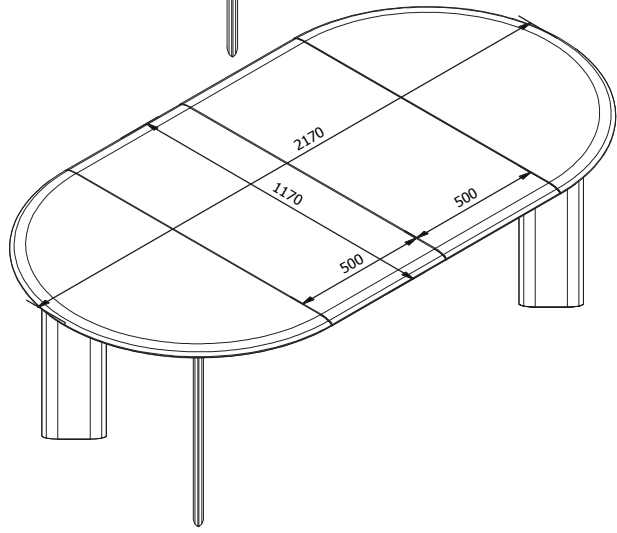
OPTION A:

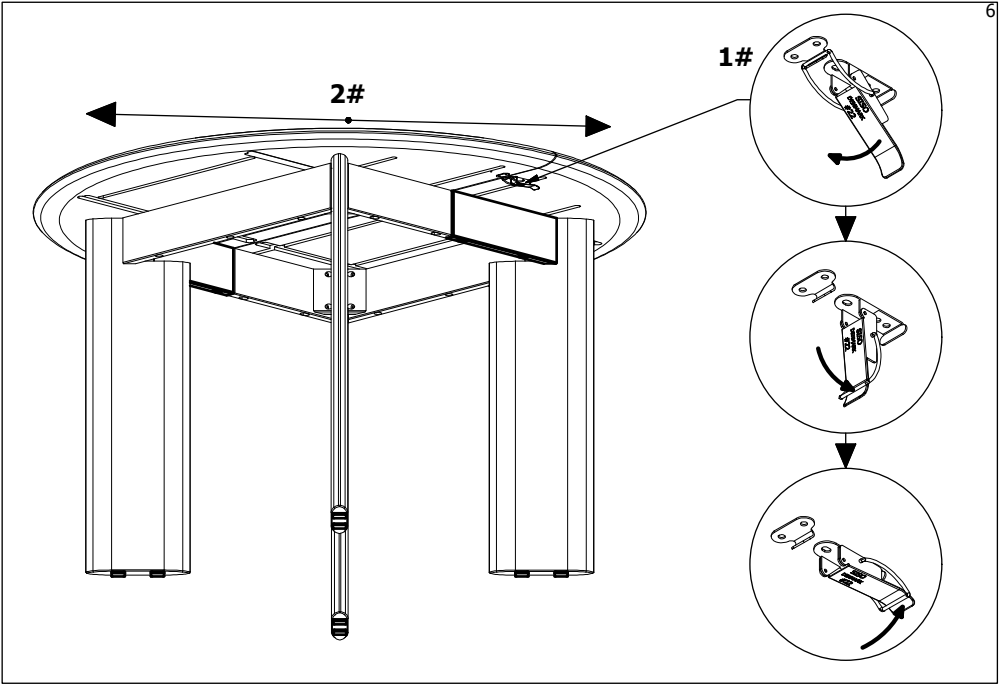


OPTION B:

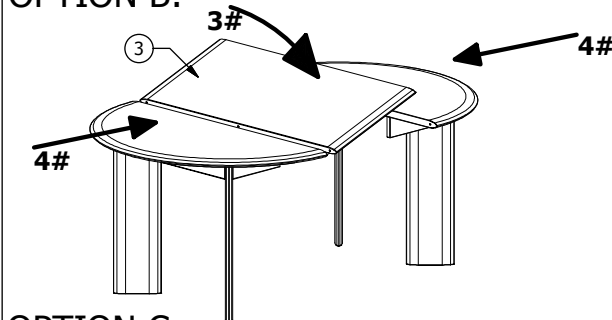


OPTION C:

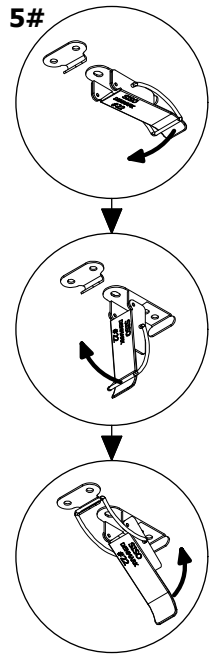
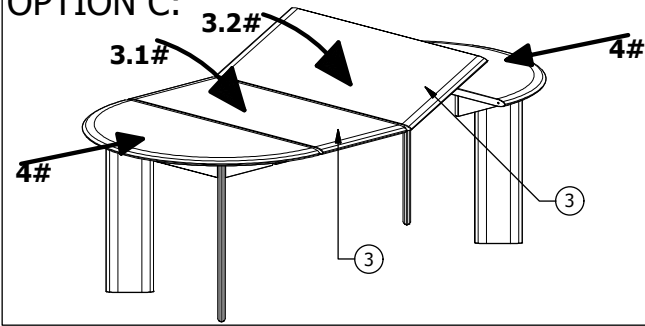




OPTION B:

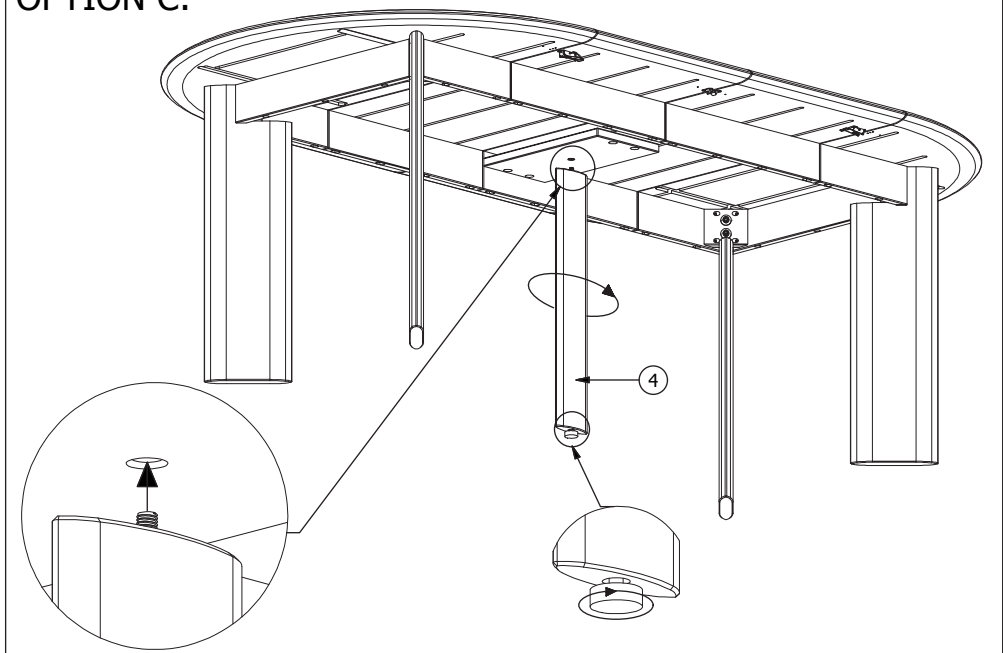


OPTION C:



OPTION C:

6B



7

5